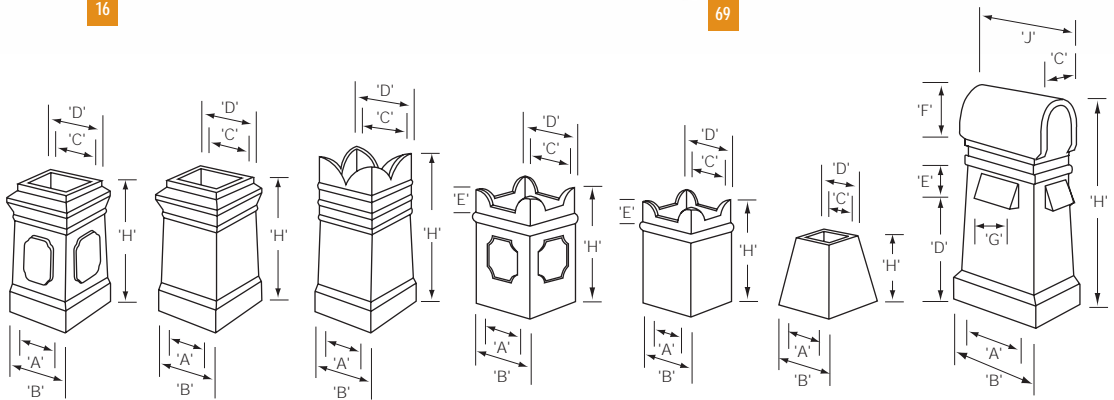


Squares



list no.	description	height	base		top					
		H	A	B	C	D	E	F	G	J
7	Square Panelled Pot	550	265 sq	315 sq	200 sq	300 sq	-	-	-	-
16	Square Plain Pot	450, 600, 750	265 sq	315 sq	200 sq	300 sq	-	-	-	-
27	Square Spiked Pot	650, 750	250 sq	300 sq	200 sq	285 sq	100	-	-	-
66	Square Pot	525	250 sq	315 sq	240 sq	315 sq	140	-	-	-
67	Square Pot	450	225 sq	275 sq	225 sq	300 sq	140	-	-	-
69*	Square Taper Pot	300	240 sq	290 sq	160 sq	200 sq	-	-	-	-
88	Hooded Square with Pockets	875	250 sq	315 sq	210 sq	430 sq	90	225	140	360
		875	300 sq	370 sq	250 sq	350 sq	100	275	140	400

*see notes on pages 26 and 27 regarding limited application.